

ORG/ FT-L

Dimensions: 1189 x 953 x 140 mm (LxWxH).

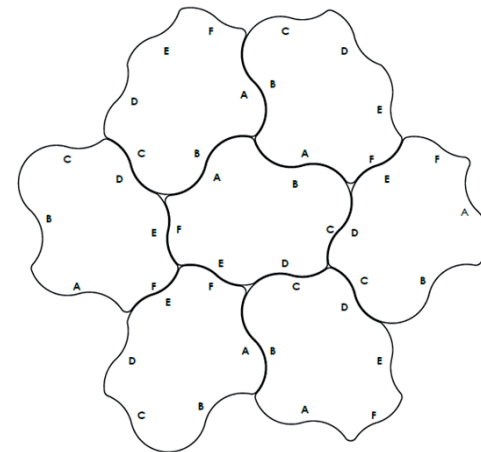
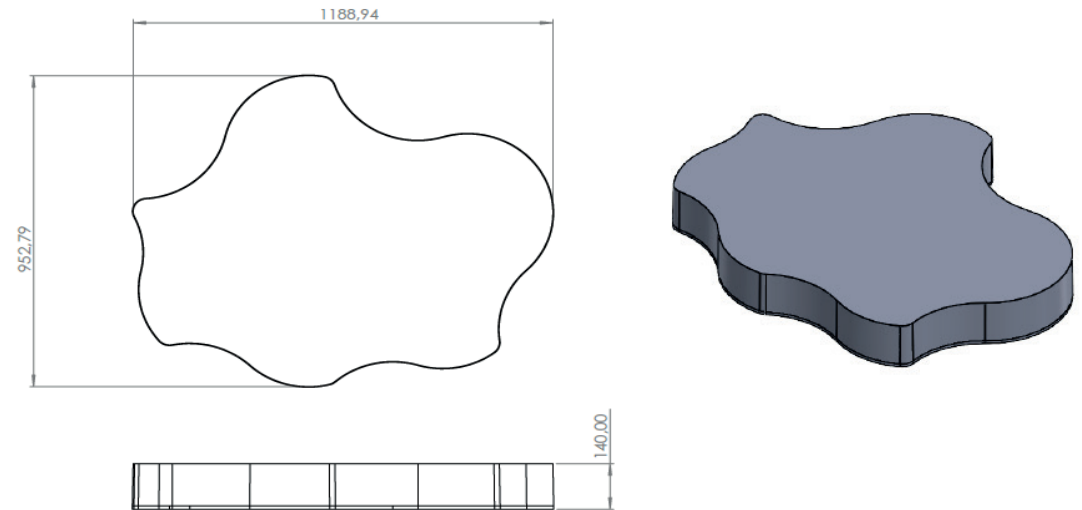
The total area is 0.79 m².

Color: Deer grass pavers undergo a slight color change due to influences such as sunlight and weather conditions, after which the tile retains its authentic shade during its lifetime.

Structure / shape: the grass pavers must have sufficient stiffness to prevent slipping. The surface structure is untreated.

The pavers are characterized by their organic design. The underlying structure consists of a hexagon with two long equal sides and four short equal sides. A sine wave is drawn on each side, with large waves on the two long sides. Smaller waves are provided on the four shorter sides. Due to the sine wave, the valleys collapse according to a 'male - female' principle.

Laying pattern: The grass valleys are constructed according to a hexagon, where we assign a letter from A to F on each side. The sides fit together according to the combination below: A with B; C with D and E with F



Load class: BC5 – Limited heavy traffic. The characteristic load at 2 supports for BC5: 40 (N / mm).

Foundation: continuous crushed stone 0/40 (type 1 according to SB 250) with thickness 35 mm

Strength class: C45 / 55 and is made with a limestone beat granulate for better durability.

Water absorption: max 5%

Steel quality: BE500ES

Rounding: > 25mm

Weight: 261 kg/st (330.38 kg/m²)

The grass pavers must harden in one for at least 24 hours closed damp room.

Drainage opening: 0%

Lawn opening: 0%

Fill volume: / L/m². The grass pavers can be filled with broken crushed stone or a grass concrete mixture.

Technical specifications detail:

- Actual breaking load: minimum 1000 kg
- Suitable as water-permeable hardening
- Suitable as grass growth hardening
- Natural stone impact (1500 kg/m³): / kg/m²
- Grassy substrate (500 kg/m³): / kg/m²

Delivery & placement

The grass pavers must be delivered on pallets without wooden spacers that leave traces on the pieces. A good alternative can be nylon rope or plastic spacers.

The placement is done with a lifting clamp for grass concrete tiles or a custom stone clamp for which two options are possible:

1. Stone clamp with metal bars that fit in the openings
2. Stone clamp equipped with plates of preferably 8 mm between which the grass valleys are clamped

Fine positioning can be done with a rubber hammer.

You have the option to provide the lifting clamp yourself, or you can rent a lifting clamp from Deer. Below is an example of a lifting clamp for grass concrete tiles:

