

CO2

- Dimensions

1250 x 625 x 120 mm (LxWxH) with a dimensional tolerance of max. 3 mm

- Characteristics

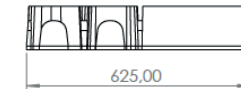
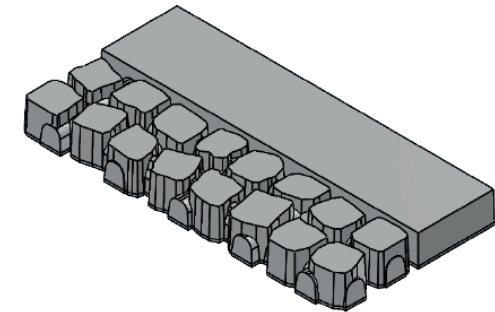
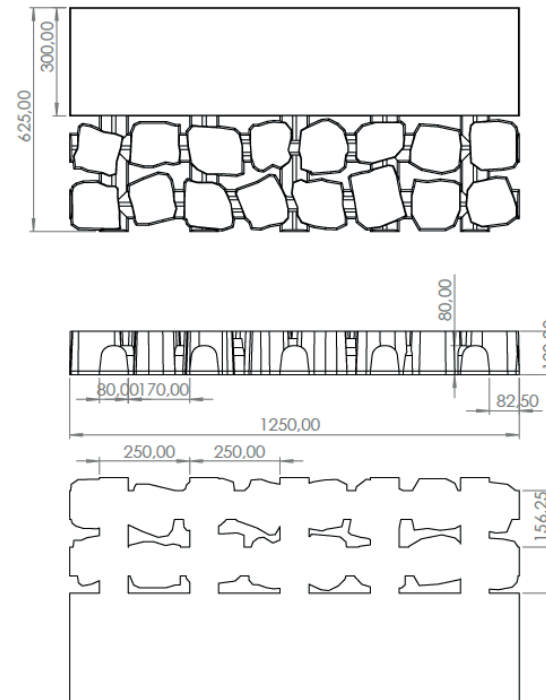
Type: reinforced grass concrete tile (single reinforcement)

Structure: the DEER grass pavers have sufficient stiffness to prevent slipping. The surface structure is untreated.

Color: DEER grass pavers undergo a slight color change due to influences such as sunlight and weather conditions, after which the tile retains its authentic shade during its lifetime.

Design: For better walkability, part of the DEER grass concrete tile is left without openings (625 x 300 mm). Besides the full section (625 x 950 mm), the DEER reinforced grass concrete tile is composed of 4 rows of 6 stones whose design is inspired by cobblestones. The 24 varying cobblestone shapes placed in a fixed grid create a rural look with a modern accent. The cobblestones are connected by 4 longitudinal beams that are 950 mm long, 80 mm wide and 80 mm high. The longitudinal beams are connected by four 80 mm high and 80 mm wide recessed cross-beams.

Weight: 192 kg/st (250 kg/m²)



- Technical features

Load class: BC4 – Light traffic & occasional heavy traffic. The characteristic load at 2 supports for BC4: 30 (N/mm).

Strength class: C45/55 and is made with a limestone beat granulate for better durability.

Water absorption: max 5%

Reinforcement:

- Steel quality: BE500ES
- Rounding: >25mm

Drainage opening: 7.8%

Lawn opening: 19.5%

- Placement information

Fill volume: 16.1 L/m²

Natural stone impact (1500 kg/m³): 24.2 kg/m²

Grassy substrate (500 kg/m³): 8.1 kg/m²

Packaging: DEER's grass concrete tiles are delivered on pallet, wrapped in plastic.

Manipulation:

The placement is done with a lifting clamp for grass concrete tiles or a custom stone clamp for which two options are possible:

1. Stone clamp with metal bars that fit in the openings
2. Stone clamp equipped with plates of preferably 8 mm between which the grass pavers are clamped

Fine positioning can be done with a rubber hammer.

Below is an example of a lifting clamp for grass concrete tiles:

