

BE4

Dimensions: 1250 x 625 x 120 mm (LxWxH) with a dimensional tolerance of max. 3 mm

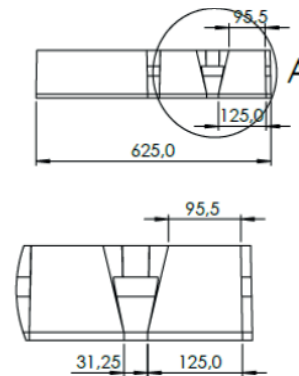
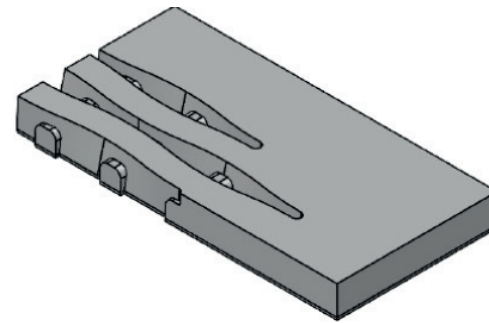
Color: Deer grass pavers undergo a slight color change due to influences such as sunlight and weather conditions, after which the tile retains its authentic shade during its lifetime.

Structure: the grass pavers must have sufficient stiffness to prevent slipping. The surface structure is untreated.

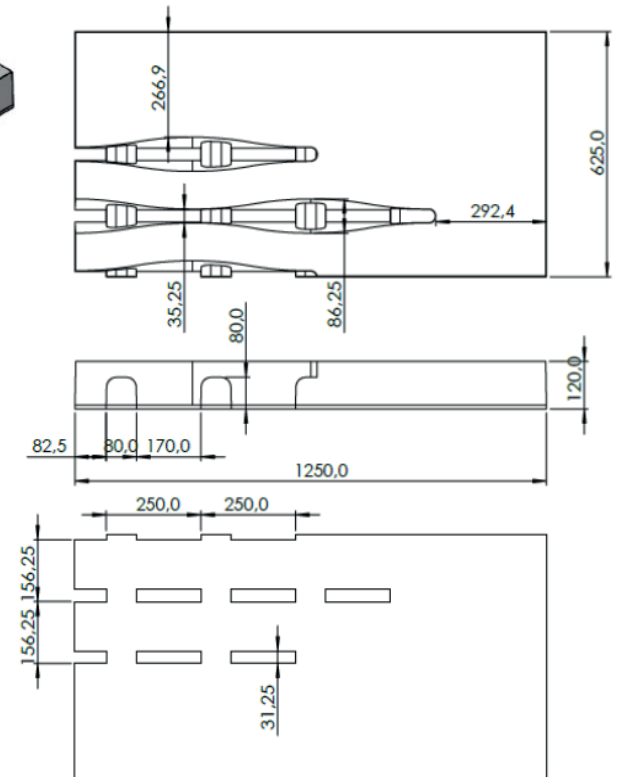
For better walkability, part of the grass paver is without openings. The grass paver is composed of 2 longitudinal beams that are 125 mm wide on the bottom surface. The beams narrow eccentricly in a wavy motion to the top surface to a width of 95.5 mm.

Two adjacent beams wave to an opposite side, causing the slot width to vary from 35.25 mm to 86.25 mm. The slit in the bottom surface is constant and measures 31.25 mm. The longitudinal beams are connected by 3 lowered cross beams that are 80 mm high and 80 mm wide. The center distance between the longitudinal beams is 156.25 mm, between the cross beams 250 mm.

Load class: BC4 - Light traffic & occasional heavy traffic. The characteristic load at 2 supports for BC4: 30 (N / mm).



DETAIL A
SCALE 1 : 5



Foundation: continuous crushed stone 0/40 (type 1 according to SB 250) with thickness 30 cm

Strength class: C45 / 55 and is made with a limestone beat granulate for better durability.

Water absorption: max 5%

Steel quality: BE500ES

Rounding: > 25mm

Weight: 200 kg/st (256 kg/m²)

The grass pavers must harden in one for at least 24 hours closed damp room.

Drainage opening: 5.2%

Lawn opening: 14.3%

Fill volume: 10.6 L/m². The grass pavers can be filled with broken crushed stone or a grass concrete mixture.

Technical specifications detail:

- Actual breaking load: minimum 1000 kg
- Suitable as water-permeable hardening
- Suitable as grass growth hardening
- Natural stone impact (1500 kg/m³): 15.9 kg/m²
- Grassy substrate (500 kg/m³): 5.3 kg/m²

Delivery & placement

The grass pavers must be delivered on pallets without wooden spacers that leave traces on the pieces. A good alternative can be nylon rope or plastic spacers.

The placement is done with a lifting clamp for grass concrete tiles or a custom stone clamp for which two options are possible:

1. Stone clamp with metal bars that fit in the openings
2. Stone clamp equipped with plates of preferably 8 mm between which the grass pavers are clamped

Fine positioning can be done with a rubber hammer.

Below is an example of a lifting clamp for grass concrete tiles:

